

Application

NR80 series contactors are suitable for the battery or the rectification power and supplies power, using for the pump motor and other electronic vehicles.



Product parameters

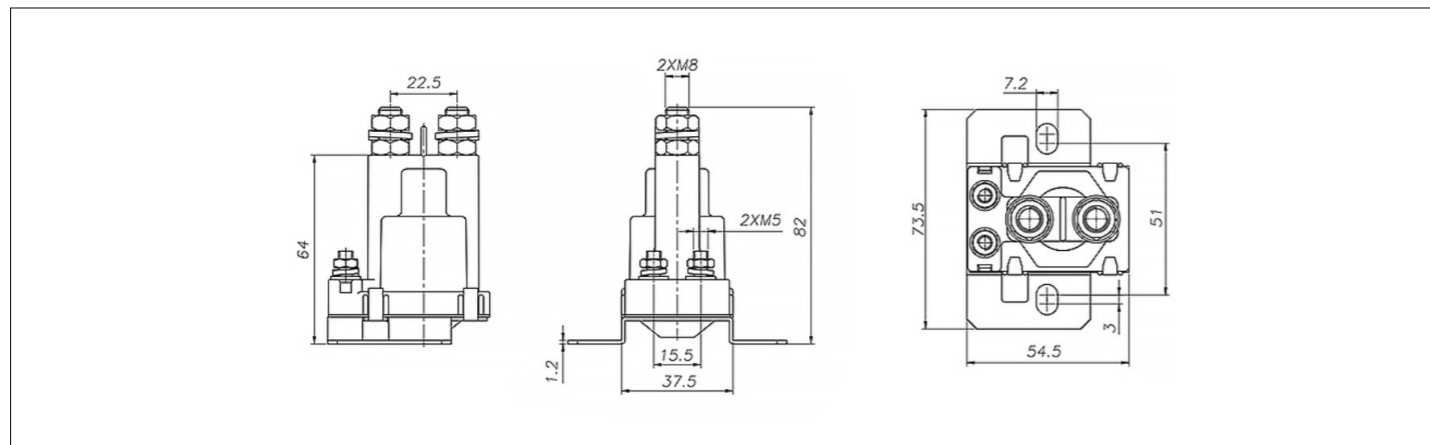
Parameters	Coil voltage of contact circuit (V)		
	12	24	48
Max. coil current(A)	0.38	0.31	0.16
Main rated load current of contact circuit(A)	80A		
Rated voltage of contact circuit(V)	6-80V DC		
Dielectric(volt)strength	50Hz 1000V AC 1min		
Rated load current of contact circuit	Not above 80mV		
Operating time	Pickup (contact makes):>30ms,		
	Release (contact breaks):>30ms		
Action characteristic	Pickup (contact makes):>66%Us,		
	Release (contact breaks):>30%Us, <5%Us		
Mechanical life	100000 times		
Electric life	20000 times		

Notes: Specifications subject to change as the customers' request.

Features

1. Low temperature rise
2. Low fever
3. Power saving
4. Long life
5. IP50 protection grade

Dimension



Specifications

Connector system	Φ4mm
Rated voltage	1000V DC(IEC)1
Rated current	17A(1.5mm ²)
	22A(2.5mm ² ,14AWG)
	30A(4mm ² ,6mm ² ,12AWG,10AWG)
Test voltage	6kV(50HZ,1min)
Ambient temperature range	-40°C~+90°C(IEC) -40°C~+75°C(UL)
Upper limiting temperature	+105°C(IEC)
Contact material	Copper, Tin-plated
Insulation material	PC/PPO
Degree of protection, mated	IP67
unmated	IP2X
Contact resistance of plug connectors	0.5mΩ
Flame class	UL94-VO
Safety class	II
Locking system	Snap-in
Salt mist spray test, degree of severity 5	IEC60068-2-52



Features

1. Simple on-site processing
2. Acomodates PV cable with different insulation diameters
3. Mating safety provided bykeyed housings
4. Multiple plugging and unplugging cycles
5. High current carrying capacity

Dimension

