

### Application

LW2R series dual-power automatic transfer switch is newly developed micro household power transfer switch. The Switch is mainly used for testing whether normal or spare power is normal or not. When the normal power is abnormal, the spare power works at once, which therefore ensure the continuity, reliability, and safety of power supply. The product is specifically designed for household orbit-type installation and specifically used in Din-Rail power distribution box.

W2R Series automatic transfer switch is suitable for the emergency power supply system with 50 or 60Hz alternating current rated 400v, 100A. It is compact in structure, reliable in transfer in transfer, convenient in installation and maintenance, and has long life expectancy. Widely used in various occasions where continuous power failure is not allowed, it can be operated both electrically and manually.

W2R Series automatic transfer switch complies with requirements of Low-Voltage switch gear and control gear specified by IEC 60947-6-1.



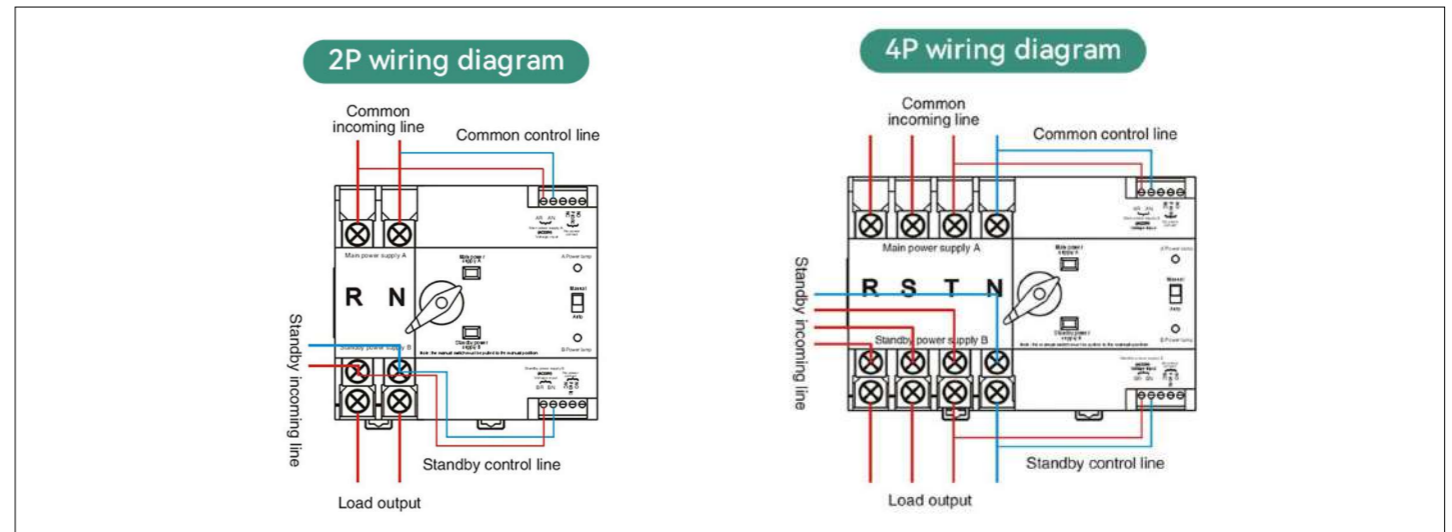
### Specifications

Product Model	LW2R	LW3R	LW4R
Rated Current Ie: A		63A, 100A, 125A	
Insulation Voltage Ui		AC690V 50/60Hz	
Rated Voltage Ue	AC220V	AC400V	AC400V
Grade		PC Class	
Pole	2P	3P	4P
Weight	0.65kg	0.75kg	0.85kg
Electrical Life		2000times	
Mechanical Life		5000times	
Rated impulse withstand voltage		8KV	
Control Circuit Us		AC220V 50/60Hz	
Standard		IEC60947-6-1	
Operation		Manual / automatic	
Type		Break-before-make type ATS	

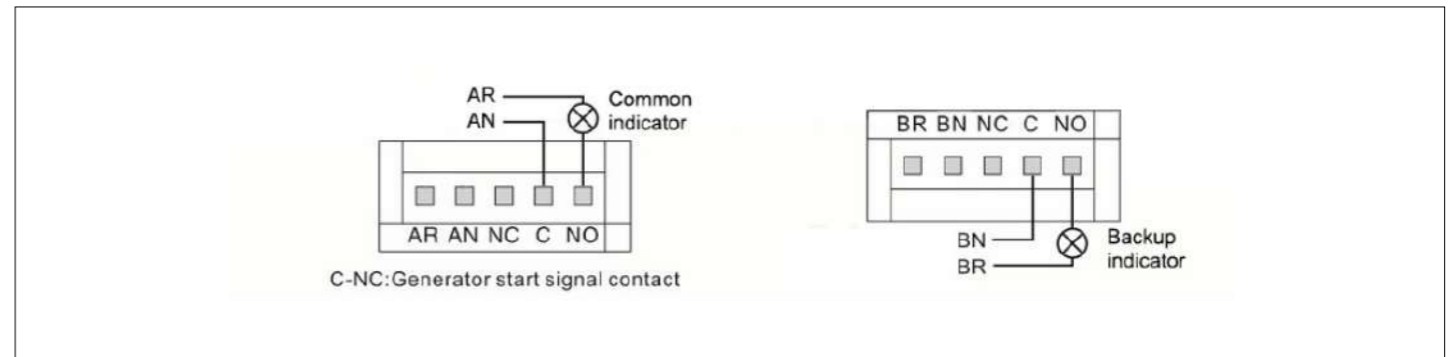
### Features

1. Reasonable structure, small volume, nice appearance, provided with protective shield safer and more reliable power supply
2. Complete protective functions, including open phase and loss-of-voltage protection
3. Noiseless, energy saving, simple installation, easy operation, reliable and stable performance

### Main circuit wiring diagram



### External power ON indication wiring diagram



### Dimension

